



CP MEGATHERM D.A

Electric heater



1 Application

Heating of instrument enclosures in hazardous areas, designed for

- freeze protection
- condensation protection
- temperature maintenance
- vertical installation

2 Special Features & Advantages

- availability of standard items from stock
- short delivery times
- vertical design allows for optimum installation adjacent to the instruments to be heated in the enclosure
- freeze-protection thermostat integrated as standard in the connection cable
- high heat output resulting from a special, black anodized aluminium profile construction

3 Description

The very versatile MEGATHERM line consists of electric heaters designed to heat the air in the enclosure by convection.

Wherever possible, a heater designed for temperature class T3 should be selected. A temperature limiter is integrated in the heater that cuts off the power in case of a technical failure or excessive heating resulting from an external heat source. It should be noted that the temperature limiter must only be repaired in our factory. For reasons of operational safety the heater must only be operated under conditions that ensure that the trip temperature of the limiter will not be exceeded:

- Ensure effective convection by observing the necessary clearances. Allow for good convection circulation in the enclosure and take care not to cover the fins.
- Heaters without integrated freeze-protection thermostat in the cable can be installed with an installation position turned through 180° (cable gland on top), which is thermally advantageous.
- The TS thermostat supplied as standard will limit the ambient temperature in the housing.
- For temperature maintenance an additional external thermostat type TAE must be connected in series with the heater. It should be mounted on top of the heater surface to ensure thermal feedback.
- Alternatively a TC temperature controller can be used. A residual-current-operated protective device with a rated value of not more than 300 mA, preferably 30 mA should be installed.

A temperature indicator shows potential problems and failures at an early stage (e.g. incorrect installation). Please check the application if more than 3 fields have irreversibly changed to black.



All INTERTEC explosion-proof heaters can also be supplied

- to American NEC standard (CSA/ NRTL/ FM/ UL).
Ordering Example: CP MEGATHERM **C**PA 300 T4
- in a less expensive, **N**on-explosion-proof design
Ordering Example: CP MEGATHERM **N**PA 300 TS
- as Bi-Standard (see datasheet HD608-xe)



4 Technical data

| | |
|----------------------------|--|
| Type of Protection (Gas) | II 2 G Ex dm IIC T3,T4,T6 |
| Type of Protection (Dust) | II 2 D Ex tDmD A21 IP65 T135°C, T200° C |
| EC Examination Certificate | PTB 02 ATEX 1041 X |
| IEC Scheme Certificate | IECEX PTB 07.0052X |
| Ingress Protection | IP 68, NEMA 4X |
| Operating temp. range | -50 bis 180°C |
| Nominal voltage | 230V AC |
| Connection cable | silicone cable, notch and oil resistant, 3x1,5 mm ² Ø8,5 mm |
| Connection cable for AM | ...5x1,5 mm ² Ø8,8 mm |
| Length of connection cable | 1 m |
| Length, width | 229 mm, 60 mm |
| Material | seawater-proof aluminium, black anodized |

5 Types

(Further types upon request)

| CP MEGATHERM DPA | 200 | 300* | 400 |
|-------------------|--------|------|-----|
| Nominal power [W] | 200 | 300 | 400 |
| Temperature class | T4 | T3 | T3 |
| Height | 225 mm | | |

| CP MEGATHERM DTA | 300 | 600 |
|-------------------|--------|-----|
| Nominal power [W] | 300 | 600 |
| Temperature class | T4 | T3 |
| Height | 325 mm | |

*This type of heater is also available with a protective thermostat TS40 integrated in the connection cable for temperature maintenance up to 40°C. Room temperature control must be effected by an additional TAE thermostat or TC temperature controller.

6 Options

| | |
|--------------|------------------------------------|
| TS40 (bei *) | Protective thermostat |
| AM | Failure alarm opening at < 5 °C |
| 3M | Connection cable 3 m long |
| 120 V | Nominal voltage 120 V, 24 V AC/ DC |
| 240-265V | Nominal voltage 240-265 V AC |

Not all options can be combined.

Ordering example: CP MEGATHERM DTA 600 T3 TS



CP MEGATHERM D.A

Electric heater

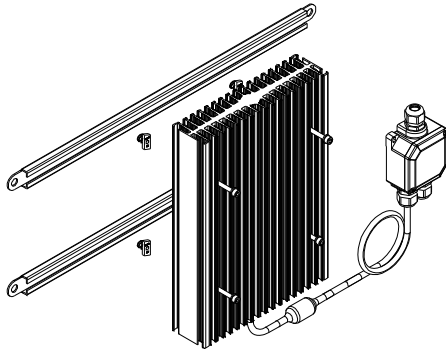


7 Installation, Minimum Clearances

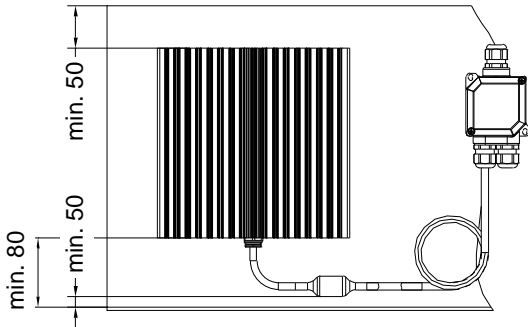
During installation, attention should be paid to the following:

- installation and operating instructions supplied with the heater MEGATHERM
 - The fins must be positioned vertically
 - Please note minimum clearances to the enclosure, as per 7.1.1 and 7.1.2
 - For temperature maintenance install the TAE thermostat on the heater, see 7.2
 - The cable must be clearly legible
- Bolts and nuts are included in the mounting kit.

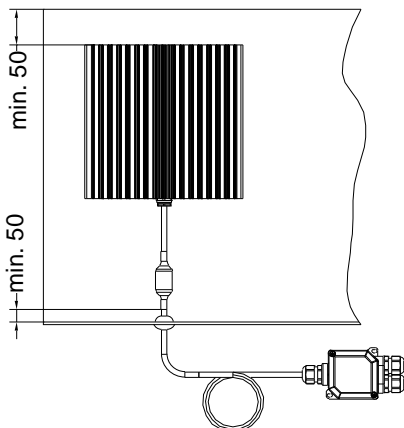
7.1 MEGATHERM with TS



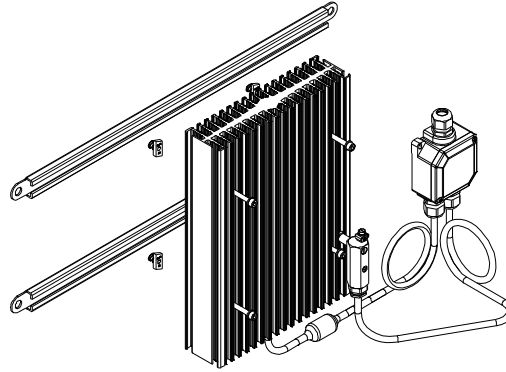
7.1.1 with customer-supplied internal junction box



7.1.2 with customer-supplied external junction box

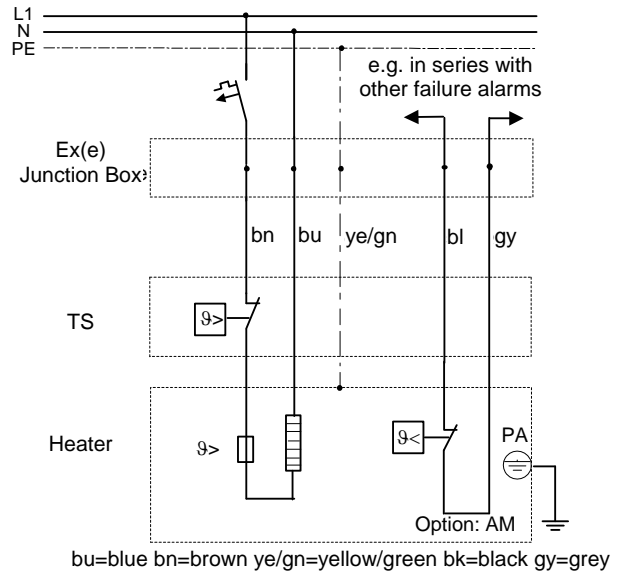


7.2 MEGATHERM with TAE



8 Wiring Diagramme

8.1 MEGATHERM TS



8.2 MEGATHERM TS40 with TAE

