

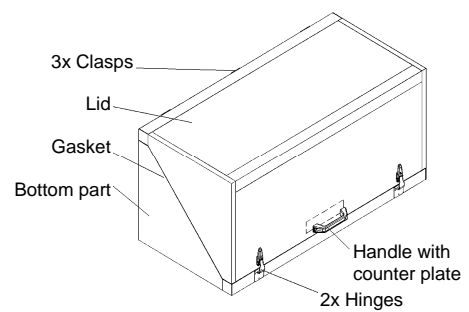
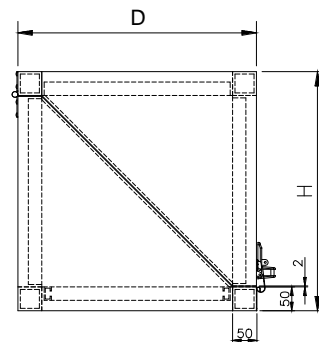
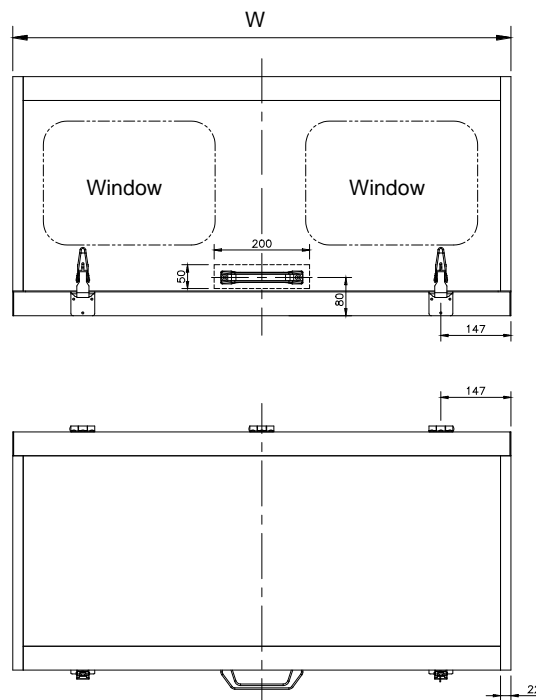


DIABINET

Sandwich design: PU foam between layers of polyester
 Colour: grey RAL 7032
 Type of protection: IP 54
 Material class: B2, according to DIN 4102
 Neoprene gasket
 Heat transfer coefficient $k = 1,4-1,5 \text{ W/ m}^2 \text{ K}$
 Clasps and hinges, stainless steel 316 (1.4571)

Optionen

- FA** Acrylic glass window 540x310
- FS** Safety glass window 540x310
- Special colour** to RAL
- GO** Antistatic to avoid electrostatic charges according to EN IEC 60079-0
- B1** Material class: B1, according to DIN 4102
- EMV** Electromagnetic shielding
- DF** Lid prop stay
- WA** Wall fastening
- ST** Pipestand



Type	W	H	D	Window
105.050.050	1050	500	500	1 center,
105.070.070	1050	700	700	
155.050.050	1550	500	500	optionally 1 or 2 windows
155.070.070	1550	700	700	
205.050.050	2050	500	500	
205.070.070	2050	700	700	