



CLASSIC 110.070.xxx/ 110.090.xxx/ 110.110.xxx - single door

Reinforced glassfibre polyester parts, sandwich construction, insulated with polyurethane foam core
 Corner posts of GRP with vertical c-rails
 Textured surface in grey RAL 7032
 Protection class IP 65

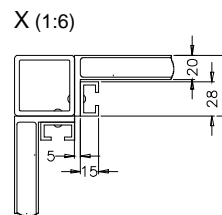
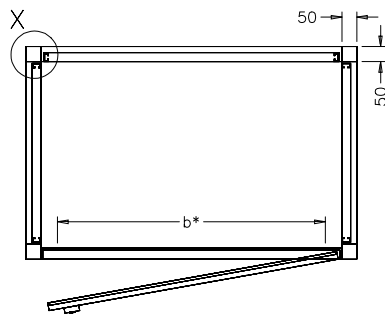
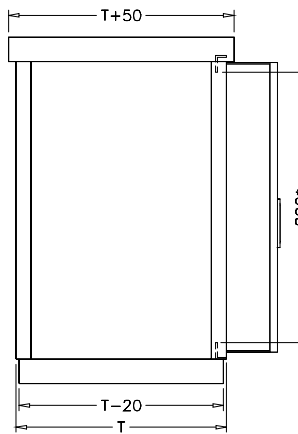
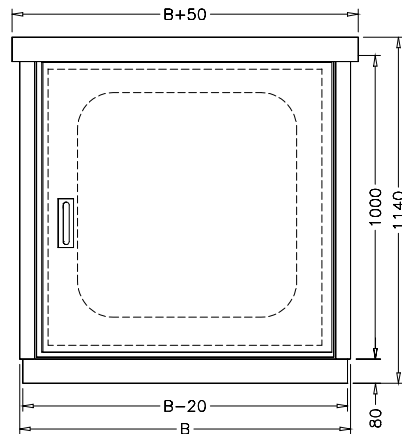
Vertical c-rails provided at the side wall and rear wall
 3-point locking device with burglary-resistant swing handle with profile cylinder to DIN 18252 (lockable)
 Roof overhang 25 mm all around

Arrangement

Floor (see data sheet Sd522-xe „Floor versions for classic series“)

Options

- MP** Mounting plate
- FA/FS** Acrylic glass/ Safety glass window
- C-VA** Vertical c-rails in stainless steel instead of aluminium
- GO** Antistatic to avoid electrostatic charges according to EN IEC 60079-0
- F30** Fire resistance class F30
- SB** Floor fastening (see data sheet Sd523.xe „Fastenings for classic-floor versions design ..“)
- WA** Wall fastening inside/ outside
- SZ** Ground vault



* clear width

scale 1:25

Type	Sizes (mm) with floor			
	H	B	b	T
110.070.050	1140	700	490	500
110.070.070				700
110.070.090				900
110.070.110				1100
110.090.050	900	690	690	500
110.090.070				700
110.090.090				900
110.090.110				1100

Type	Sizes (mm) with floor			
	H	B	b	T
110.110.050	1140	1100	890	500
110.110.070				700
110.110.090				900
110.110.110				1100