



# 3-dimensional modular system CLASSIC

Reinforced glassfibre polyester parts, sandwich construction, insulated with polyurethane foam core  
 Corner posts of GRP  
 Textured surface in grey RAL 7032  
 Protection class IP65: single door/ IP54: double door

Vertical c-rails provided on the side walls and rear wall  
 3-point locking device with burglary-resistant swing handle with profile cylinder to DIN 18252 (lockable)  
 Roof overhang 25 mm all around

## Arrangement

- Floor (see data sheet Sd522-xe „Floor versions for CLASSIC series“)
- GRP with PU-foam infill, height 80 mm (design A)
  - stainless steel floor frame, PU-foam infill and GRP, height 80 mm (design B)
  - stainless steel floor frame, GRP-cover plate (loose), height 80 mm (design D)
  - GRP 5 mm with opening for installation and cover (design H)
- Further variations (see data sheet Sd522-xe)

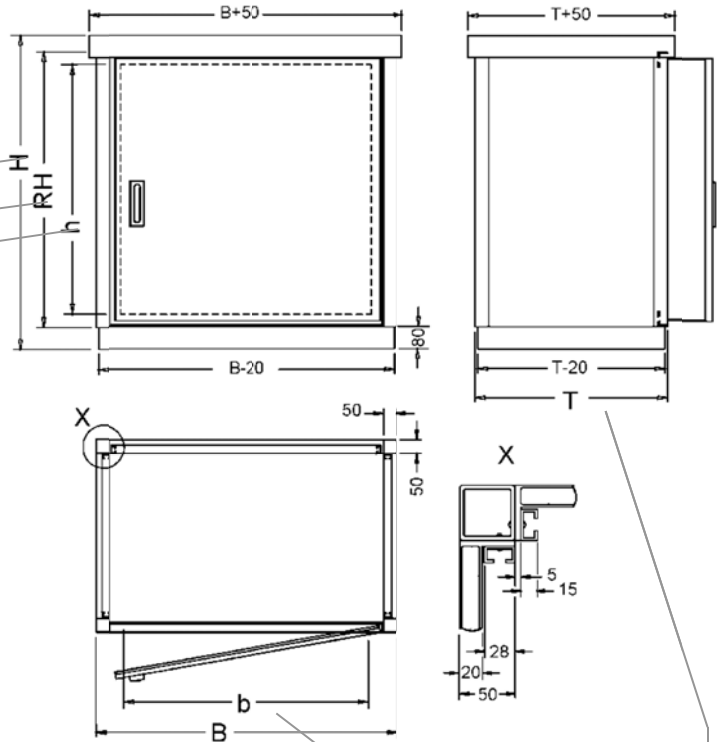
## Options

- MP** Mounting plate
- FA/FS**  acrylic glass/  safety glass window
- C-VA** Vertical c-rails in stainless steel instead of anodized aluminium
- GO** Antistatic to avoid electrostatic charges according to EN IEC 60079-0
- F30** Fire resistance class F30
- SB** Floor fastening (see data sheet Sd523-xe „Fastenings for CLASSIC floor versions“)
- WA** Wall fastening  inside/  outside
- SZ** Ground vault for installation in the ground

All combinations are possible!

### Height

Type	Height H	Room height RH	Clear height h
<input type="checkbox"/> 110	1140	1000	890
<input type="checkbox"/> 135	1390	1250	1140
<input type="checkbox"/> 160	1640	1500	1390
<input type="checkbox"/> 185	1890	1750	1640
<input type="checkbox"/> 210	2140	2000	1890
<input type="checkbox"/> 235	2390	2250	
<input type="checkbox"/> 250	2540	2400	
<input type="checkbox"/> 260	2640	2500	
<input type="checkbox"/> 275	2790	2650	
<input type="checkbox"/> 285	2890	2750	



### Width

Type	Width B	Clear width b	Doors
<input type="checkbox"/> 070	700	490	Single door
<input type="checkbox"/> 090	900	690	
<input type="checkbox"/> 110	1100	890	
<input type="checkbox"/> 135	1350	1140	Double door
<input type="checkbox"/> 155	1550	1340	
<input type="checkbox"/> 175	1750	1540	
<input type="checkbox"/> 195	1950	1740	

### Depth

Type	Depth T
<input type="checkbox"/> 050	500
<input type="checkbox"/> 070	700
<input type="checkbox"/> 090	900
<input type="checkbox"/> 110	1100

The cabinet designation is composed of the individual types, e.g.

**110.155.090**  
 Height. Width. Depth

Width and depth of the cabinet can be increased according to a raster system.