



# UNIBOX

Made of hot-pressed glassfibre reinforced polyester

Two-part construction.

Low flammability and self-extinguishing

- Colour: light grey, RAL 7032
- UV-resistant
- Neoprene seal
- Protection class IP65

Heat Transition Coefficient K		J 1	J 2	J 3	J 4
normally (without Insulation)	without window	4,4	4,6	4,8	5,0
	with window	4,9	5,1	5,3	5,5
with insulated lid	without window	2,3	2,5	2,7	3,0
	with window	2,7	3,0	3,3	3,5

### Application

The enclosures of the UNIBOX series have been designed in two-parts with a straight, horizontal parting line between the upper and the lower part. This type of construction allows for maximum accessibility during installation or maintenance of differential pressure transmitters and the associated manifolds. The removable or hinged lid allows cable entries from the front, rear, sides or bottom.

For accessories see catalogue and Product Overview

### Standard

- SV** 2 clasps in stainless steel

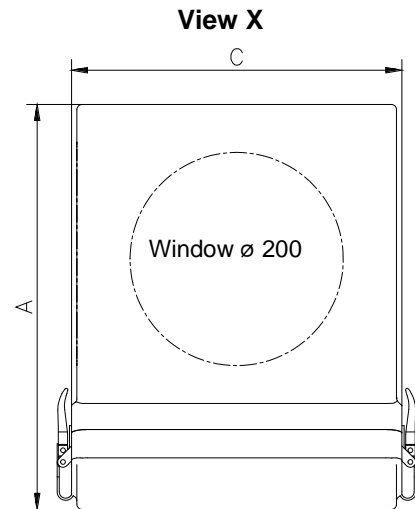
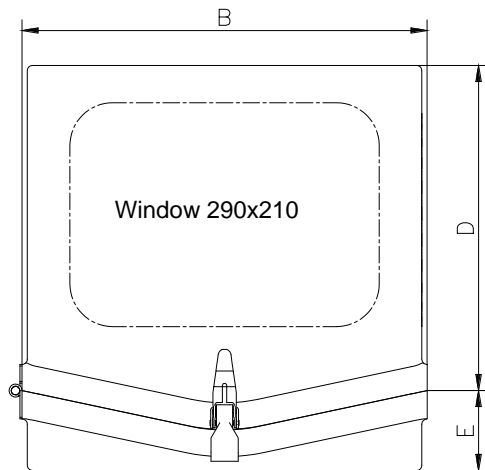
### Optional designs

- SE** 2 hinges and 2 clasps in stainless steel
  - DFVA** lid propstay in stainless steel, fitted
  - FA** acrylic glass window (not round design)
  - FS** safety glass window
- window mounting in  front  side

### arctic Insulation

with PU foam, not stackable

- arctic-Alu** Alu-foil (Standard only hood, and for GO)
- GO** antistatic to avoid electrostatic charges according to EN IEC 60079-0



Dimensions and weight

UNIBOX	A	B	C	D	E	weight
Type J 1	380	380	310	305	75	5,2 kg
Type J 2	420	380	310	305	115	5,5 kg
Type J 3	480	380	310	405	75	6,5 kg
Type J 4	520	380	310	405	115	6,8 kg

Dimensions in mm