



Shades SD 22, SD 40, SD 50, SD 100, SD 150

Material: hot-pressed, glassfibre reinforced polyester
 Colour: similar to RAL 7032 light grey,
 UV-resistant
 Low flammability and self-extinguishing

Options:

- GO antistatic to avoid electrostatic charges according to EN IEC 60079-0

1 Application

Simple shielding of enclosures, instruments and fittings providing protection against:


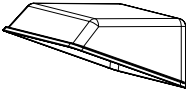
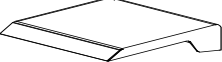
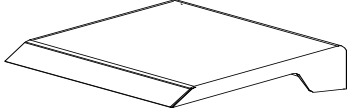
- Sun light (overheating)
- Dirt accumulation
- Exposure to atmospheric conditions
- Mechanical damage



2 Features

- Easy access to the transmitter, also allowing good lateral access.
- Various mounting possibilities, especially for the protection of transmitters, are available, as for example direct mounting of the SD22 at the transmitter head or mounting to the pipe stand or steel construction (see Datasheet: sample application and Mounting material KD287)
- Heat-insulating material preventing the heat generated by solar radiation to be transferred.
- SD 22: structured surface improves UV-resistance.
- Stackable for space-saving transport and storage due to tapered side walls.

3 Types , Dimensions, Fastening

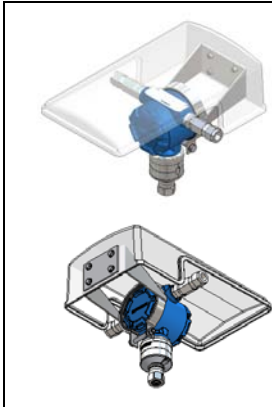
	Type	W x D x H (mm)	Fastening
	SD 22	210 x 365 x 111	1x RS 21* or MB-SD
	SD 40	410 x 320x 170	1x RS 21* or MB-SD
	SD 50	570 x 570 x 175	2x RS 50*
	SD 100	630 x 570 x 175	2x RS 100*
	SD 150	690 x 570 x 175	2x RS 150*
	SD 150Q	990 x 570 x 175	2x RS 150 Q*

*in case of wall mounting 4 bolts M10 are required (not supplied with the shade)

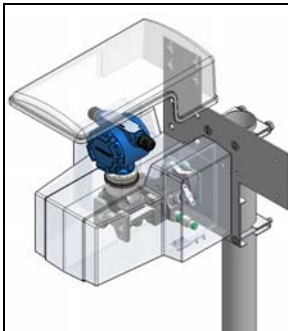


Shades SD 22, SD 40, SD 50, SD 100, SD 150 Applications

1 Transmitter below Shade SD 22



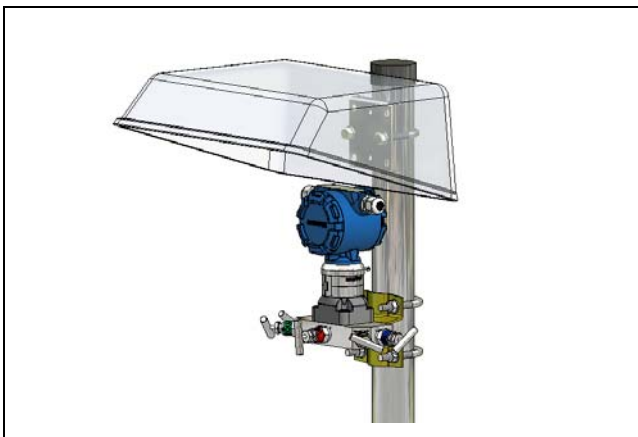
Rosemount transmitter 3051... or Endress and Hauser F12/T12 mounted underneath SHADE SD 22. SHADE SD 22 is mounted directly on the transmitter housing. A large variety of Intertec-attachment brackets are available for the various types of transmitters designed by internationally renowned manufacturers.



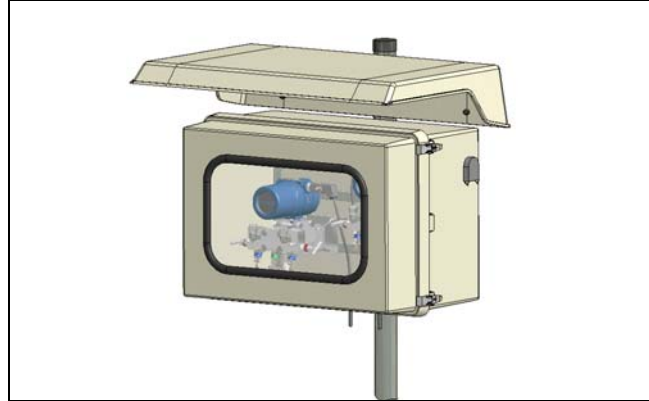
MESC Box with manifold and Rosemount-transmitter 3051 S mounted underneath SHADE SD 22 and attached to a 2" pipe stand by means of a mounting system.

Weather-sensitive instruments and fittings can be installed directly below the shade by means of a fastening set

2 Transmitter below Shade SD 40



3 Enclosure below 150



Sensitive electric equipment or electronic devices are installed in instrument enclosures and protected from the effects of the sun by the shade.

Shade Type	Suitable for enclosure
SD 50	MULTIBOX 25 and 48
SD 100	MULTIBOX 60, 70, 100, MULTIBOX 25 u. 48 horizontally mounted
SD 150	MULTIBOX 80, 150, und 170 MULTIBOX 60,70 u. 100 horizontally mounted
SD 150 Q	MULTIBOX 80, 150, 170 horizontally mounted



The shade can be mounted behind the pipe stand.

or

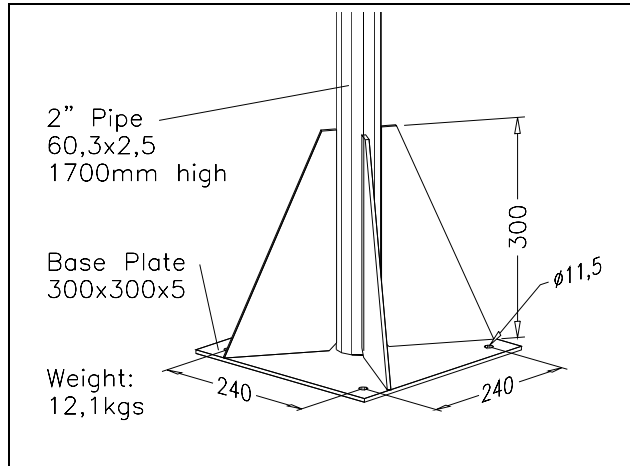
the shade can be installed between the enclosure and the pipe stand

Advantage here: adjustable in height



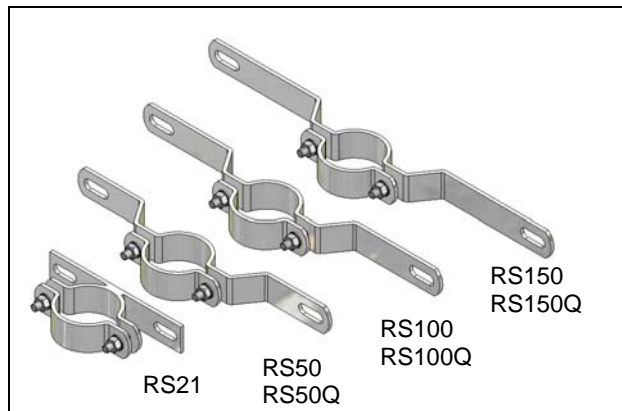
Shades SD 22, SD 40, SD 50, SD 100, SD 150 Mounting Accessories

1 Pipe stand 2"



ST17-2, 1700mm high for mounting the shades

2 Pipe mounting Bracket (RS)

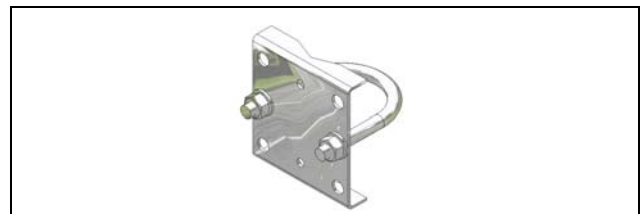


For mounting the Shades on 2" pipe stand

3 Mountingsystem



MB-SD 22/37/40 with U-bolt M8 for mounting of shade SD22, SD40 or DIASHADE 37 to 2" pipestand.

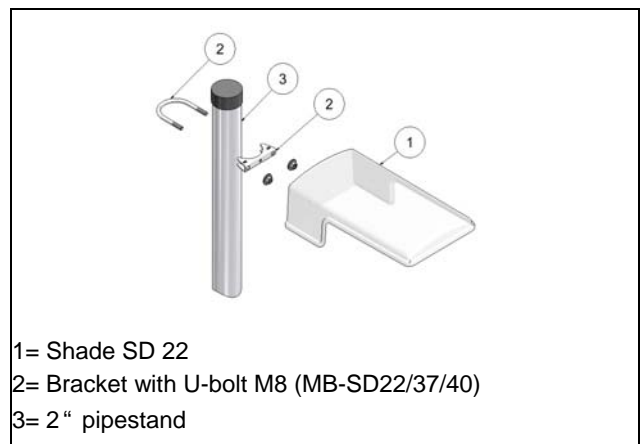


MB-SD with 2"U-bolt for mounting of shades to 2" pipestand.



Bracket (BBV) and 2 peaces 2"U- bolt (BB2") for mounting of manifolds to pipestand

Mounting example Shade SD 22



1= Shade SD 22
2= Bracket with U-bolt M8 (MB-SD22/37/40)
3= 2" pipestand