

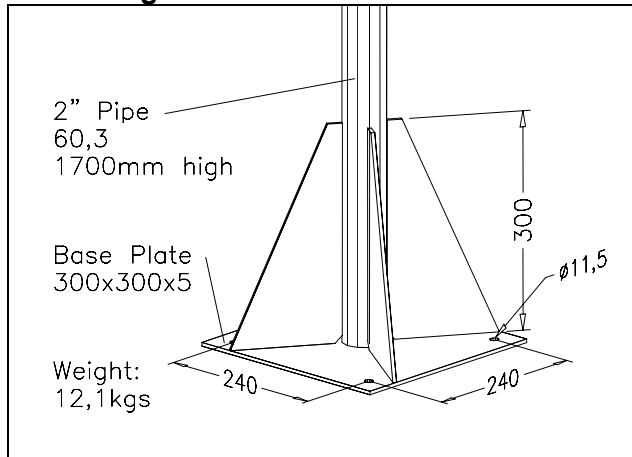


# MULTIBOX - Mounting Brackets, Standpipe Instrument Pillar, Wall Mounting and Mounting Plate

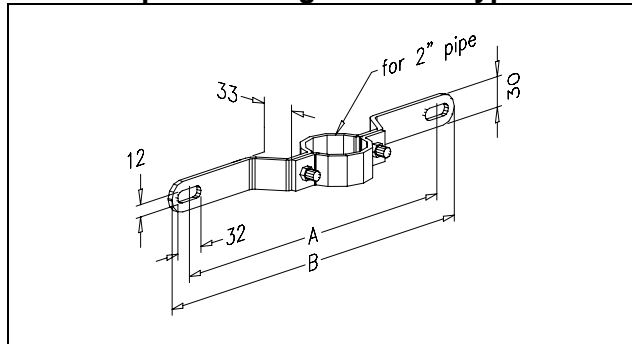
It is generally recommended to mount INTERTEC Instrument Enclosures by means of the stainless steel mounting elements (included).

## 1 Pipe Stand Mounting

### 1.1 Pipe Stand Type ST17-2, 1700 mm high



### 1.2 Pipe Mounting Brackets Type RS..



for MULTIBOX Type	Enclosure Orientation	Type of Mounting Bracket	A (mm)	B (mm)	Weight (kgs)
25,48	vertical	<b>RS50</b>	280	330	0,7
60,70,100		<b>RS100</b>	340	390	0,75
80,150,170		<b>RS150</b>	400	450	0,85
25,48	horizontal	<b>RS50Q</b>	380	430	0,8
60,70, 100		<b>RS100Q</b>	540	590	1,05
80,150,170		<b>RS150Q</b>	630	680	1,1

2 hexagonal head bolts M10x16 and 2 washers 10,5 are supplied to fasten mounting brackets type RS...

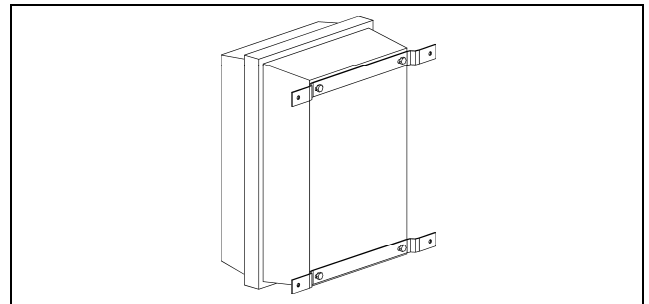
Remark:

2 Mounting brackets (RS../WA..) per each MULTIBOX are needed.

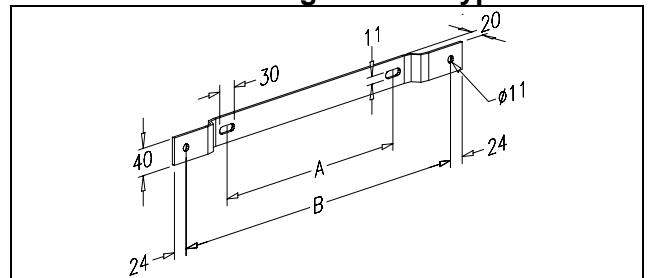


The material mentioned in this data sheet is available in zinc plated steel or in stainless steel Mat.No 1.4301 (at extra cost).

## 2 Wall Mounting



### 2.1 Wall Mounting Bracket Type WA..



for MULTIBOX Type	Enclosure Orientation	Type of Wall Mounting Bracket	A (mm)	B (mm)	Weight (kgs)
25,48	vertical	<b>WA50</b>	280	485	0,65
60,70,100		<b>WA100</b>	340	550	0,75
80,150,170		<b>WA150</b>	400	620	0,8
250	horizontal	<b>WA250</b>	460	680	0,8
25,48		<b>WA150</b>	400	620	0,8

2 hexagonal head bolts M10x16 and 2 washers 10,5 are supplied to fasten mounting brackets type WA...



# MULTIBOX - Mounting Brackets, Standpipe Instrument Pillar, Wall Mounting and Mounting Plate

## Instrument Pillar RAV 2“

**vertical** – to support transmitter  
 total length of pipe = 200 mm  
 outer shroud 120 x 60 x 6  
 incl. 4 HK – screws M10 x 20 and nuts  
 Material: zinc plated steel or stainless steel (at extra cost)  
 Weight: ca. 0,9 kgs

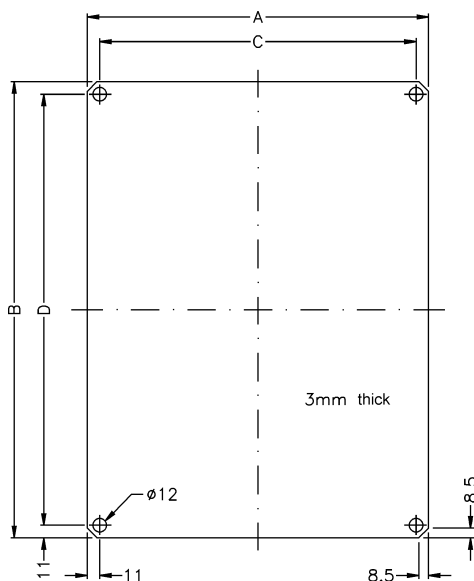


## Instrument Pillar RAH 2“

**horizontal** – to support transmitter  
 total length of pipe = 160 mm  
 outer shroud 126 x 60 x 6  
 incl. 4 HK – screws M10 x 20 and nuts  
 Material: zinc plated steel or stainless steel (at extra cost)  
 Weight: ca. 0,8 kgs



## Mounting Plate MP ..



		Mounting Plate Type			
		MP 50	MP 100	MP 150	MP250
		for MULTIBOX Type			
		25, 48	60, 70, 100	80, 150, 170	250
Abm (mm)	A	302	362	422	482
	B	362	562	652	682
	C	280	340	400	460
	D	380	540	630	660
Weight (kgs)		2,8	4,6	6,6	7,8
Material		Zinc plated steel or stainless steel ( at extra cost )			