



MULTIBOX 70

Made of hot-pressed glassfibre reinforced polyester (GRP)
 Two-part construction, equipment can be installed in either the shallow or deep part.
 Stackable design for space saving storage and transport
 Approved by „Lloyds of Germany“
 Hardly inflammable and self-extinguishing
 4 mounting elements in stainless steel

- Colour: light grey, RAL 7032
- UV- resistant
- Neoprene seal
- Protection class IP 65
- Weight approx 8,5kg

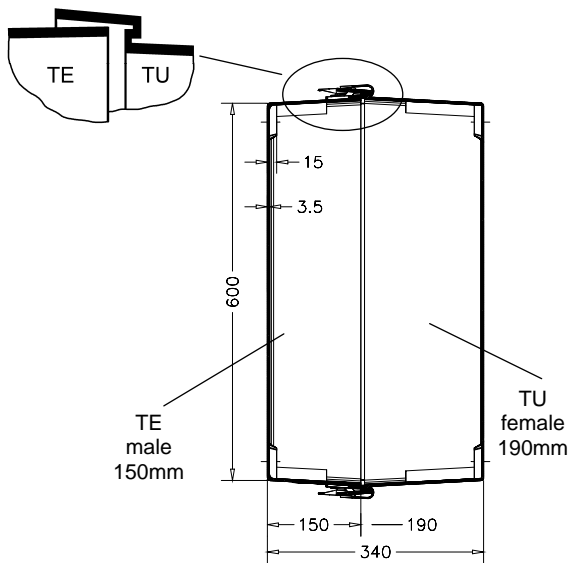
Dimensions (approx) H x B x T = 640 x 440 x 340 mm

Heat transition coefficient K	without window	with window
without Insulation	5,4 W/K	6,0 W/K
arctic.....	1,7 W/K	2,3 W/K

Importend accessories see catalogue

Standard

SV 4 clasps in stainless steel



Optional designs

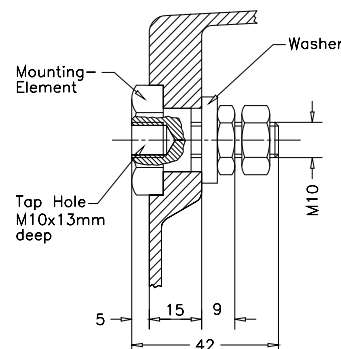
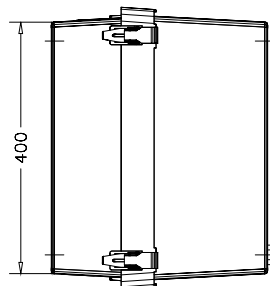
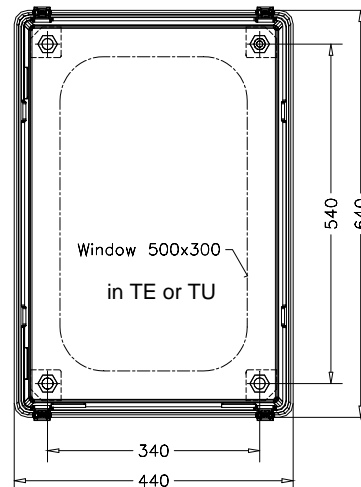
- SE** 2 hinges and 2 clasps in stainless steel
- DF** lid propstay in galvanized steel
- DFVA** lid propstay in stainless steel
- DFGF** lid propstay, gas compression spring

- FA** acrylic glass window
 - FS** safety glass window
 - ST** hinged door of GfP
 - STA** hinged door of acrylic glass
- } mounted in TE TU

arctic Insulation:

PU-foam, not stackable

- arctic-PP** Polypropylene lining
- arctic-Alu** Alu-foil lining
- GO** antistatic to avoid electrostatic charges according to DIN EN IEC 60079-0 preparation for pressurization acc. to DIN EN IEC 60079-2, PTB-No. Ex-84/1118X
- Ex p**



Ordering example: 70 SE FS TU – arctic-PP GO