



# MULTIBOX 100

Made of hot-pressed glassfibre reinforced polyester (GfP)  
 Two-part construction, equipment can be installed in either the shallow or deep part.  
 Stackable design for space saving storage and transport  
 Approved by „Lloyds of Germany“  
 Hardly inflammable and self-extinguishing  
 4 mounting elements in stainless steel

- Colour: light grey, RAL 7032
- UV- resistant
- Protection class IP 65 / Nema 4x
- Neoprene seal
- Weight approx 9,5kg

Dimensions (approx) H x B x T = 640 x 440 x 430 mm

Heat transition coefficient K	without window	with window
without Insulation	6,8 W/K	7,4 W/K
arctic.....	1,9 W/K	2,5 W/K

Impordent accessories see catalogue

### Standard

**SV** 4 clasps in stainless steel

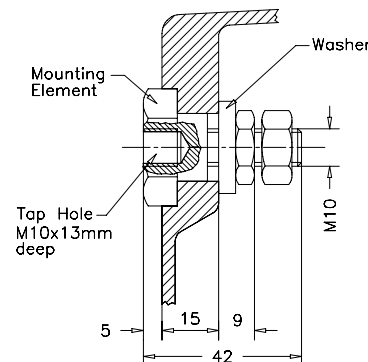
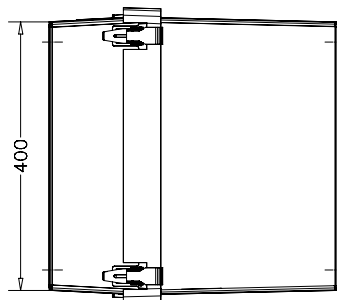
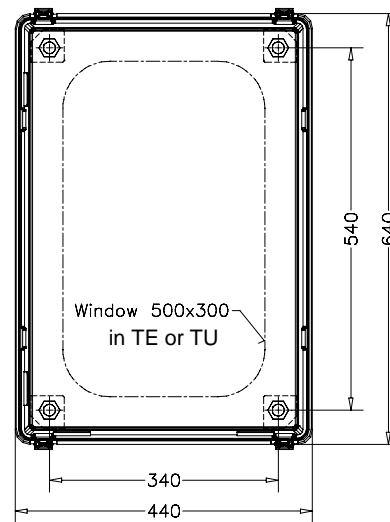
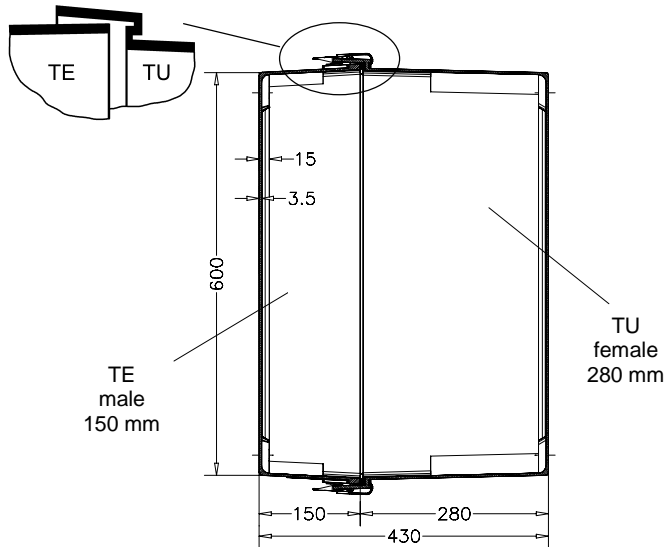
### Optional designs

- SE** 2 hinges and 2 clasps in stainless steel
- DF** lid propstay in galvanized steel
- DFVA** lid propstay in stainless steel
- DFGF** lid propstay, gas compression spring

- FA** acrylic glass window
  - FS** safety glass window
  - ST** hinged door of GfP
  - STA** hinged door of acrylic glass
- } mounted in  TE  TU

### arctic Insulation:

- PU-foam, not stackable
- arctic-PP** Polypropylene lining
  - arctic-Alu** Alu-foil lining
  - GO** antistatic to avoid electrostatic charges according to DIN EN IEC 60079-0 preparation for pressurization acc. to DIN EN IEC 60079-2, PTB-No. Ex-84/118X
  - Ex p**



Ordering example: 100 SE FS TU -arctic- PP GO