

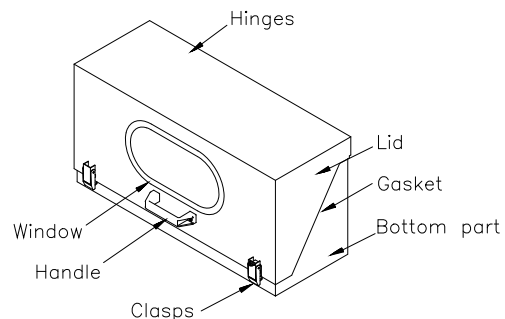
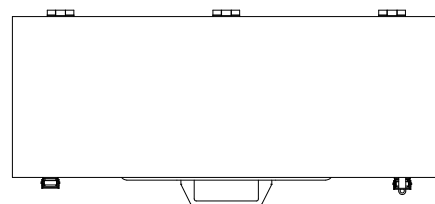
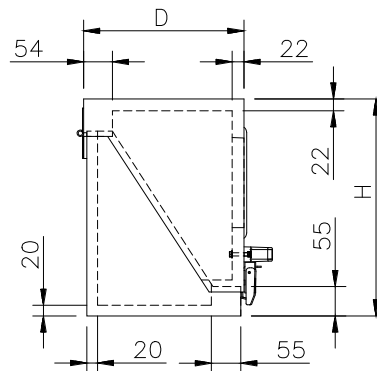
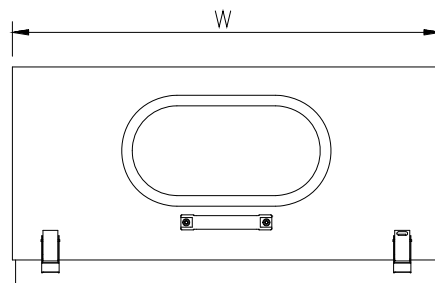


DIABOX VARIO

Modular system of insulated sandwich elements
 Material class D-s3 d0 to DIN EN 13501-1 and
 Class C to ASTM E84
 Degree of Protection: IP 65
 Heat Transfer Coefficient:
 approx. $U = 1.3 \text{ W/m}^2 \text{ Kelvin}$
 Grey RAL 7032, painted
 Hinges and clasps, stainless steel 316Ti (1.4571)
 Optionally with padlock
 Lid prop rod in stainless steel
 Gasket: EPDM

Optional designs

- Special colour
- GO** Antistatic to avoid electrostatic charges according to EN IEC 60079-0
- FA** Acrylic glass window
- FS** Safety glass window
- DFGF** gas strut (2 pieces)
- MS** mounting rails
- MP** mounting plates
- WA** Wall fastening
- ST** Pipe stands



Typ	W ≤ 2000mm	H ≤ 700 mm	D ≤ 700 mm
Requested sizes			